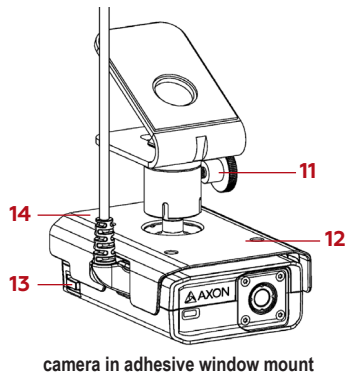
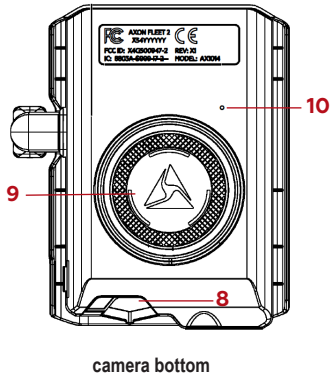
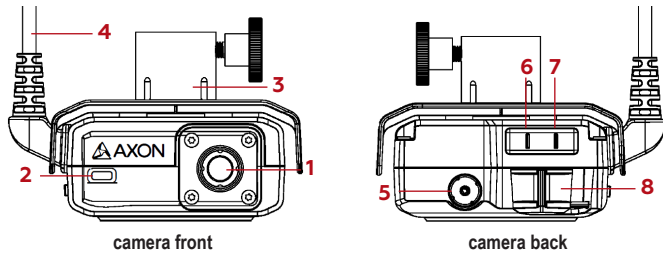


Axon Fleet 2 Camera System Quick Start Guide

English (U.S./Canada/Australia/U.K.)



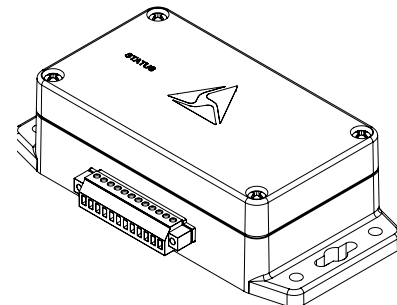
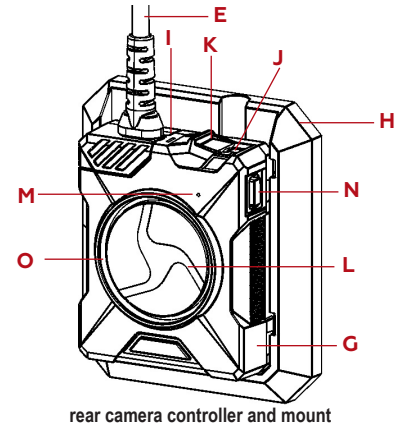
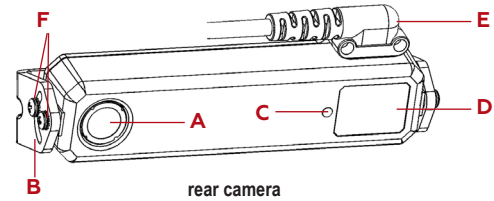
Axon Fleet 2 Front Camera Hardware



Axon Fleet 2 Front Camera Features

1. Camera lens
2. Operation indicator (blinking green = BUFFERING mode, blinking red = EVENT (recording) mode)
3. Swivel ball joint
4. Power/audio cable
5. Dataport (data transfer through PC)
6. Function LED (see table on page 2)
7. Operation LED (see table on page 2)
8. Power switch (red = On/BUFFERING mode)
9. EVENT button (press = start recording; press = stop recording)
10. Speaker
11. Thumbscrew (Loosen to pan and tilt the camera, and then tighten to fix camera in place. Failure to loosen the thumbscrew prior to tilting or panning the camera may damage the camera swivel ball joint or camera housing.)
12. Sunshield
13. Function button (mute or add marker)
14. Microphone (under sunshield)

Axon Fleet 2 Rear Camera Hardware



Axon Fleet 2 Rear Camera Features

- A. Camera lens
- B. Camera mount
- C. Ambient light sensor
- D. IR illumination window
- E. Camera cable
- F. Angle adjustment screws
- G. Camera controller
- H. Controller mount
- I. Function LED (see table on page 2)
- J. Operation LED (see table on page 2)
- K. Power switch (red = On/BUFFERING mode)
- L. EVENT button (press = start recording; press = stop recording)
- M. Speaker
- N. Function button (mute or add marker)
- O. Ring LED (blinks red and yellow during firmware updates)

Note: A microphone is located on the back of the rear camera.

⚠️ WARNING! FOLLOW SAFETY INSTRUCTIONS

Read, understand, and follow all current instructions, warnings, and relevant Axon training materials before using any Axon system. The most up-to-date warnings and instructions are available at www.axon.com.

For more information about Fleet 2 and other Axon Products, visit the Axon Help Center (help.axon.com)

Recording

The Axon Fleet 2 cameras have two operating modes; BUFFERING mode and EVENT (recording) mode. BUFFERING mode is the default mode and provides pre-event buffering to capture activities that occur before you activate EVENT mode.

- Turn the system on. Move the Power switch to the ON position.
 - The camera beeps once.
 - The camera takes a few seconds to boot up and be ready to record (the red area under the switch is exposed with the switch moved to the ON position).
 - The operation LED turns solid red when the camera is booting up and then transitions to blinking green when the system goes into BUFFERING mode.

- The Axon Fleet 2 cameras go into BUFFERING mode after the boot-up sequence. BUFFERING mode holds the previous 30 seconds (configurable by your agency) of video leading up to the beginning of a recording.

To begin recording, tap the camera panel in Axon View XL or quickly press the EVENT button.

- The selected camera now records video and audio.
- The camera beeps twice to let you know that recording has started. The operation LED blinks red. The 2 beeps repeat every 2 minutes to indicate the camera is still recording (audio notifications can be deactivated if necessary).

- To stop all recording and return to BUFFERING mode, tap the camera panel in Axon View XL or press the EVENT button. There is a long, audible beep that indicates EVENT mode has ended.

With default settings, the system does not capture audio in BUFFERING mode, so anything recorded in that mode will be video-only. This setting is configurable by your agency. BUFFERING mode starts only after the camera is turned on. The system does not record when the camera is turned off.

Uploading Data

Video from your Axon Fleet 2 cameras is set up to automatically upload via wireless capability. You can review and add tags to videos before they are uploaded using Axon View XL. For more information on using Axon View XL with your Axon Fleet 2 cameras, see the *Axon View XL Operations Guide*.

Zoom Function

The Axon Fleet 2 Front Camera is equipped with a zoom function. This allows you to magnify the image shown while using Live View. The zoom function works in both BUFFERING and EVENT modes.

- In the View XL Control tab, tap **Live View**.
- On the Live View, check that the Front camera is selected.
- Tap anywhere on the screen to magnify that area by 2x. Tap on the screen again to magnify that area by 4x.

Magnification returns to normal 10 seconds after the last screen tap. If you exit Live View and return within 10 seconds, the image will still be magnified.

Tap **Hold** to maintain the current zoom and stop the 10 second countdown. If **Hold** is used during recording, magnification returns to normal when the recording is stopped.

- Tap **Close** to return to the Control tab.

Wi-Fi is a trademark of the Wi-Fi Alliance and Windows is a trademark of Microsoft Corporation.

⚠️, AXON, Axon, Axon Fleet, Axon Fleet 2, and Axon View XL are trademarks of Axon Enterprise, Inc., some of which are registered in the US and other countries. For more information, visit www.axon.com/legal. All rights reserved. © 2019 Axon Enterprise, Inc. MPC0279 Rev: C

Camera/Controller Operation LED

The operation LED displays the system's current operating mode.

| Operating Mode | Operation LED |
|--------------------------|----------------|
| Recording | Blinking red |
| Buffering | Blinking green |
| Booting up/powering down | Solid red |

Camera/Controller Function LED

The function LED displays when certain functions are enabled:

| Function Enabled | Function LED |
|---------------------------------|------------------|
| Mute | Blinking blue |
| Camera error * | Solid red |
| Bluetooth feature is booting up | Solid blue |
| Camera searching for Wi-Fi | Blinking magenta |
| Camera connected to Wi-Fi | Solid magenta |

* Use the power switch to turn the camera off and on.

Audio Notifications

The camera and controller emits beeping sounds called audio prompts to notify you of the system status. These audio prompts usually occur after you perform an action with the camera.

| Operating Mode | Audio Notification |
|---|-------------------------------------|
| Powering on or off | One beep |
| Recording an event | Two beeps (repeats every 2 minutes) |
| Enter or exit Mute mode | Two beeps |
| The device is ending an event and returning to BUFFERING mode | One long beep |
| The camera is running off the Axon Fleet power unit (the car ignition is OFF) and the battery is at 20% capacity or lower | Four quick beeps (every 5 minutes) |
| Camera memory is full (camera will not start recording) | Three beeps |

