

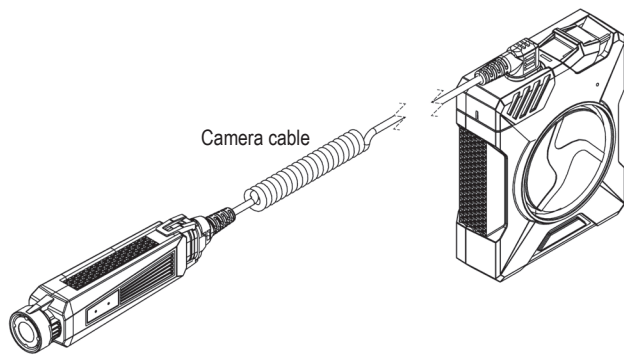


Axon Flex 2 Quick Start Guide

English

Hardware

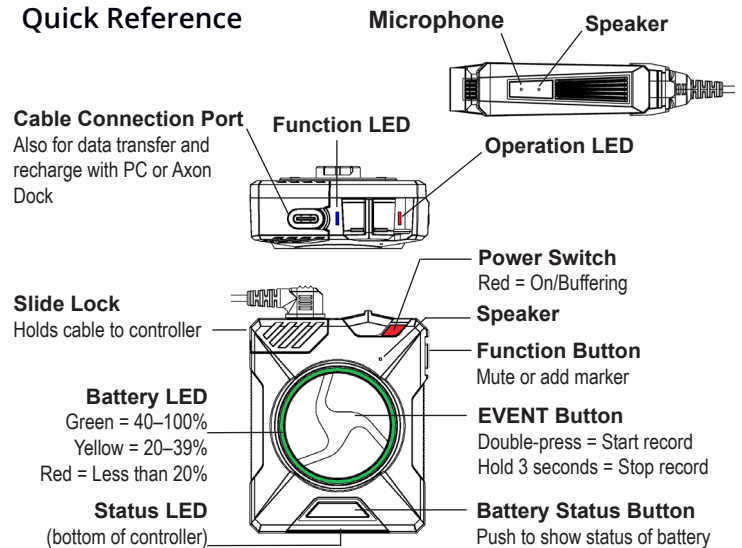
Axon Flex 2 controller



Axon Flex 2 camera

Also available:
USB C to A Sync cable

Quick Reference



Read, understand, and follow all current instructions, warnings, and relevant Axon training materials before using any Axon system. The most up-to-date warnings and instructions are available at www.axon.com.

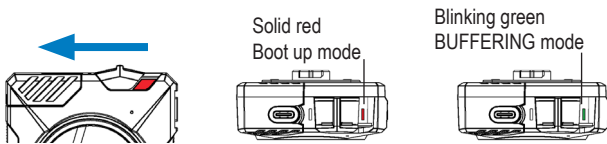
Before using an Axon Flex 2 system, ensure it is fully charged, and connect it to Evidence.com via the Axon Dock or Evidence Sync software to ensure it is properly configured. See *Controller Battery LED* and *Recharging the Battery and Uploading Data* for more information. If the battery's charge is ever depleted, recharge and reconnect the connect the system again.

Recording

The Axon Flex 2 system has 2 operating modes. The default mode, or BUFFERING mode, provides pre-event buffering to capture activities that occur before you activate the EVENT (recording) mode.

1 Turn the system on. Move the ON/OFF switch to the ON position.

- The camera takes a few seconds to boot up and be ready to record (the red area under the switch will be exposed with the switch moved to the ON position).

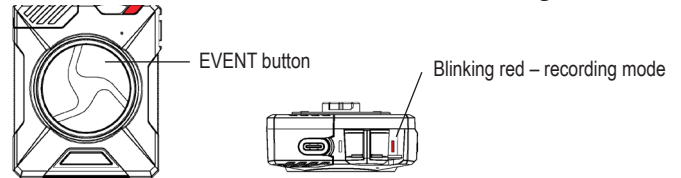


- The operation LED will be solid red and then transition to blinking green when the system goes into BUFFERING mode.
- The system will go into BUFFERING mode after the boot up sequence. With default settings, the BUFFERING mode holds the previous 30 seconds of video (NO AUDIO) leading up to the beginning of a recording.

2 To record, quickly double-press the EVENT button.

- The system now records audio as well as video.
- The system will beep twice to let you know that recording started. The 2 beeps will repeat every 2 minutes (if the system is muted, there will be no audio notifications).
- The operation LED will blink red.

3 To stop recording and return to BUFFERING mode, press and hold the EVENT button for at least 3 seconds until there is a long, audible beep.



Because the system does not capture audio in BUFFERING mode, the first 30 seconds of a recorded event will be video-only (depending on your agency's settings). BUFFERING mode starts only after the camera boots up. The system does not record when the Axon Flex 2 controller is turned off.

Controller Operation LED

The controller's operation LED displays the system's current operating mode.

Operating Mode	Controller LED
EVENT	Blinking red
BUFFERING	Blinking green
Recovering interrupted video*	Blinking red
Booting up/powering down	Solid red
Error state**	Solid red
Cable disconnect	Blinking yellow

* When the function LED also is blinking red. If little video was interrupted, the function LED will blink only briefly.

** When the Function LED also is solid red.

Controller Function LED

The Axon Flex 2 controller's function LED displays when certain functions are enabled.

Controller Battery LED

The controller's battery LED displays the battery's remaining capacity, when the device is being used or when charging.

Battery Capacity	Battery LED
Battery capacity is 40-100 percent	Green
Battery capacity is 20-39 percent	Yellow
Battery capacity is less than 20 percent	Red

Function Enabled	Function LED
Mute	Blinking blue
Camera error***	Solid red
Pairing mode	Blinking green

*** Use the power switch to turn the camera off and on.

Notifications

Operating Mode	Audio	Vibration
Powering on or off	One beep	Once
Recording an event	Two beeps (every 2 minutes)	Twice (every 2 minutes)
Press the battery button while the camera is recording	Two beeps	None
The device is ending an event and returning to BUFFERING mode	One long beep	Once, long duration
Low battery notifications:		
<ul style="list-style-type: none"> Camera in BUFFERING mode and battery has power for 20 minutes or less (the camera will not record) Camera in EVENT (recording) mode and battery nearly discharged (the camera will shut down within a few minutes) 	Four quick beeps (every 20 seconds)	Four times, quickly (every 20 seconds)
Cable disconnect (the camera will shut down)	Three beeps	Six times
Camera memory is full (the camera will not record)	Three beeps	Three times
Camera internal clock not set	Five quick beeps (every 20 seconds)	Five times, quickly (every 20 seconds)

Status LED

When you plug your camera and controller into the Axon Dock, the camera and controller status LEDs display the device status.

Device Status	Status LED
Initial connection (momentary)	Solid red (for 20 seconds or fewer)
In queue awaiting upload	Solid yellow
Device ready (all videos uploaded successfully) and fully charged	Solid green
Device not assigned, agency mismatch, camera set in the offline mode, or device error	Blinking red
Uploading data	Blinking yellow
Firmware update, internal battery charging, extremely low battery, or memory full	Blinking red and yellow – DO NOT remove the camera from the Axon Dock
Transfer error, device re-trying to transfer	Blinking green and yellow
Possible network error. Refer to the Troubleshooting chapter of the User Manual.	Blinking red, yellow, and then green
Axon Dock has no communication with the camera. Contact Axon customer service.	LED off

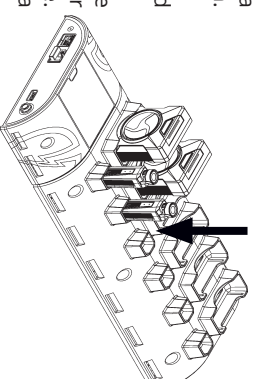
Recharging the Battery and Uploading Data

If you do not have an Axon Dock, upload video with a Windows compatible computer using Evidence Sync: axon.com/syncdownload.

- 1 Ensure the controller is off. Insert the camera and controller into the Axon Dock as shown.

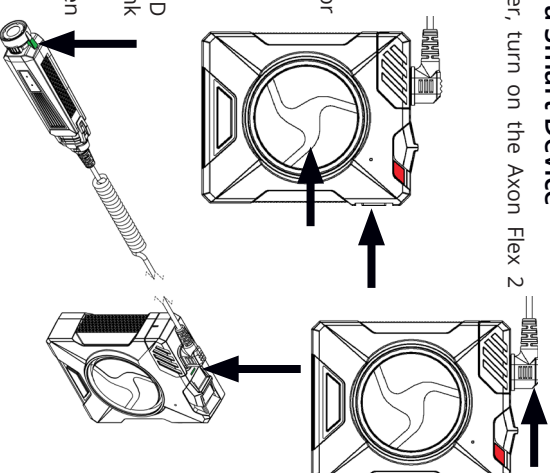
The Axon Dock automatically uploads the data from the camera to Evidence.com and recharges the controller battery. When a video uploads successfully to Evidence.com, that video is removed from the camera. (The camera must be registered to your Evidence.com account.)

- 2 At the beginning of the next shift, ensure that your camera (if one has been assigned to you) displays with a green LED before removing it from the Axon Dock.



Pairing an Axon Flex 2 Camera with a Smart Device

- 1 With the camera connected to the controller, turn on the Axon Flex 2 controller.
- 2 Wait until the Function LED is not lit anymore.
- 3 Hold down the Function and EVENT buttons for 5 seconds.
- 4 Wait until you hear 4 beeps. The Function LED on the controller and the camera LED will blink green.
- 5 On your smart device, follow the onscreen instructions.



Using Axon View

The Axon View application enables you to replay video and add metadata (GPS, title, ID, and category) to your videos using a smart phone or multimedia player.

- 1 Using your smart device, download the Axon View application from the Google Play store or the iTunes App Store. Search Axon View.

- 2 On your smart device, open the Axon View application and follow the onscreen instructions.

Note: All data is stored on the Axon camera. No videos are stored on your smart device. **For more information,** see the *Axon Flex 2 System User Manual*, *Axon Dock Quick Start Guide*, *Axon View for Android Devices User Manual*, or *Axon View for iOS Devices User Manual*, available at www.axon.com, axon.com/au/, axon.com/uk/.

Android and Google Play are trademarks of Google, Inc., Bluetooth is a trademark of the Bluetooth SIG, iTunes is a trademark of Apple, Inc., and iOS is a trademark of Cisco Systems, Inc.

▲, ▲ AXON, Axon, Axon Dock, Axon Flex 2, Axon View, Evidence.com, and Evidence Sync are trademarks of Axon Enterprise, Inc., some of which are registered in the US and other countries. For more information, visit www.axon.com/legal. All rights reserved. © 2017 Axon Enterprise, Inc.

MPC0251 Rev: F

